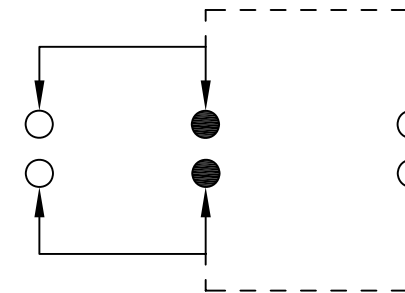
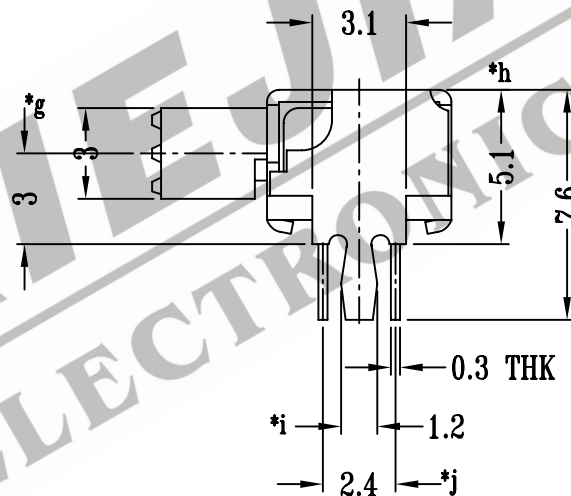
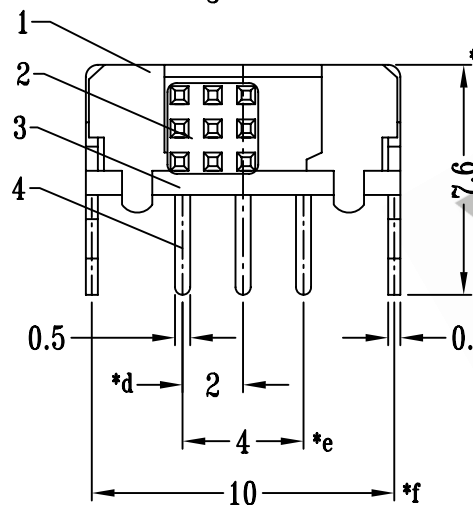
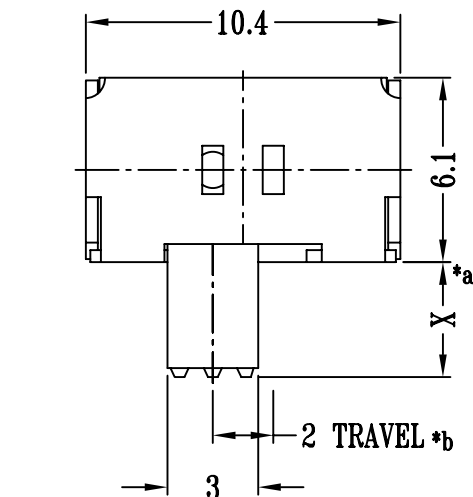
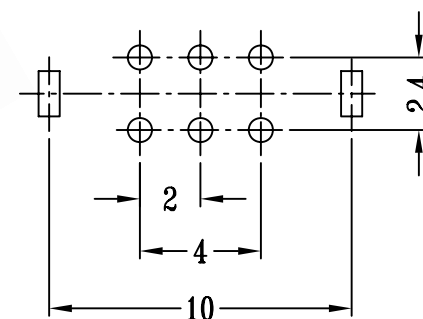


CAD FILE:



SCHMATIC (SHORTING)



P.C.B LAYOUT

注:带"*"表示关键尺寸(10个)

NO.	PARTS	MATERIALS	Q'TY	FINISH	TOLERANCE UNLESS SPECIFIED	SHENZHEN XIEJIA ELECTRONICS CO.,LTD.				
8					WITHIN: 1.5±0.1mm	ISSUE	DATE	DESCRIPTIONS OF REVISION		APPD.
7				OVER: 1.5±0.2mm						
6	SPRING PLATE	STAINLESS STEEL	1	NATURAL	TITLE : HORIZONTAL SLIDE SWITCH		UNIT : mm	DRWG NO.: XJ-DR-SK22D12-00		
5	CONTACT CLIP	PBS	2	Ag CLAD	MODEL: SK-22D12		SCALE: 4:1	DWN.	ZHOUYU	2001-9-30
4	TERMINAL	BRASS STRIP	6	Ag PLATED OVER Ni PLATED	ALL MATERIALS MUST BE COMPLIANT TO ROHS			CHK'D	FANGYING	2001-9-30
3	BASE	PHENOLIC RESIN	1	NATURAL				APPD.	KANGXINAN	2001-9-30
2	KNOB	POM	1	BLACK						
1	FRAME	STEEL STRIP	1	Ni PLATED						